



CONTENTS

01

Tin Roof Mounting Solution

02

Tile Roof Hooks Solution

03

Flat Roof Mounting Solution

04

Ground Mounting Solution











05

Carport Mounting Solution

06

Farm Mounting Solution



Specification		 Site	Tin / Metal Sheet Roof	 Wind Speed	≤42m/s	 Snow Load	≤1.4Kn/m ²
 Angle	0°~45°	 Direction	Vertical, Horizontal	 Body Material	AL6005-T5	 Bolt Material	SUS304
 Standard	JIS C8955:2017 GB5009-2012	 Surface Treatment	Anodized	 Warranty	10 Years Warranty, 25 Years Service Life		

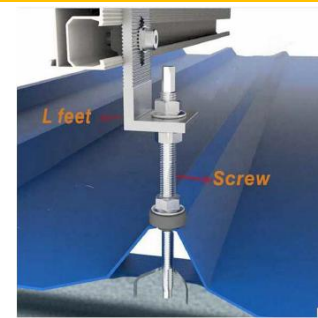
Angle Fitting Type



Clamp Type



L Foot Type



End Clamp Kit



Middle Clamp Kit



FS-Rail



Clamp Kit

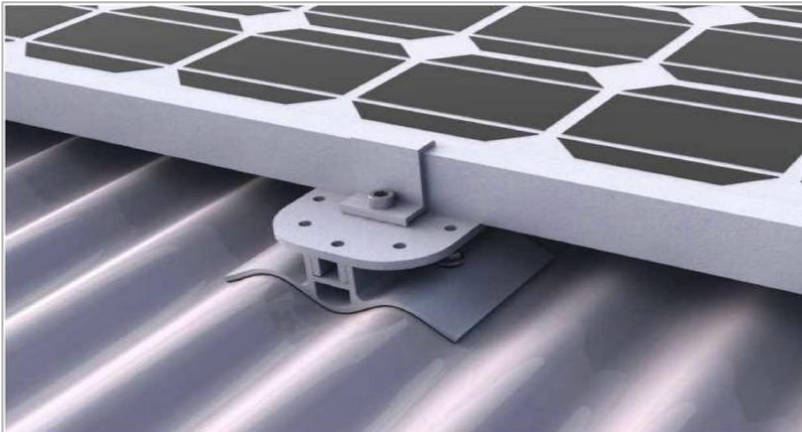
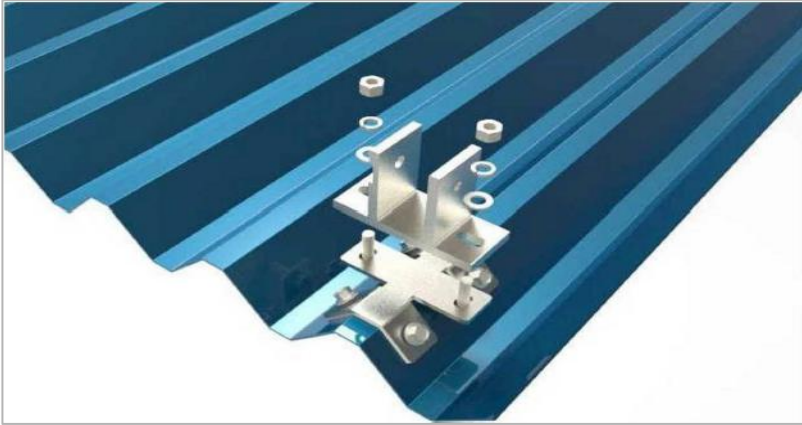


Clamp Kit

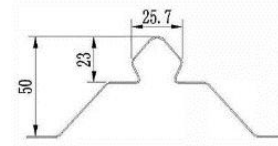


Clamp Kit

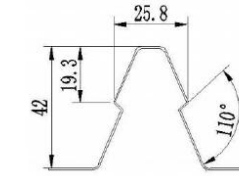




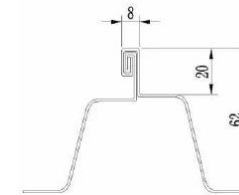
FSCL-01



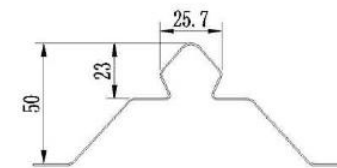
FSCL-02



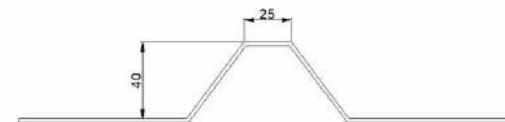
FSCL-03



FSCL-04



FSCL-05





Specification		Site	Tile Roof	Wind Speed	≤60m/s	≤1.4Kn/m ²	
Angle	0°~45°	Direction	Vertical, Horizontal	Body Material	AL6005-T5	Bolt Material	SUS304
Standard	JIS C8955:2017 GB5009-2012	Surface Treatment	Anodized	Warranty			

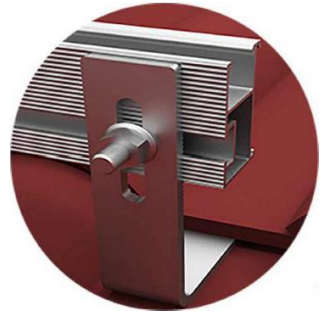
Roof Hooks



Roof Hooks



Roof Hooks



End Clamp Kit



Middle Clamp Kit



FS-Rail



FSHK-01

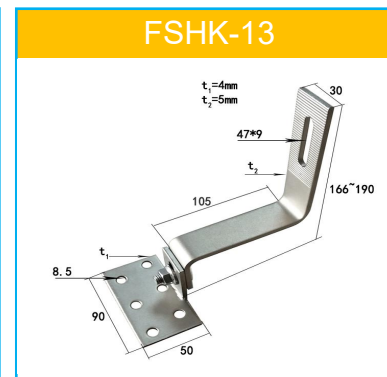
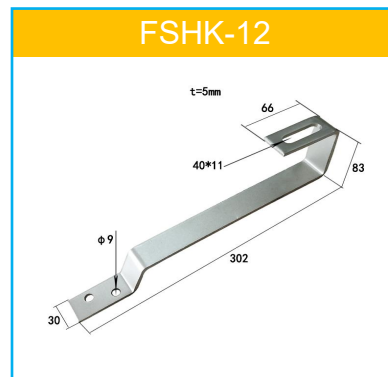
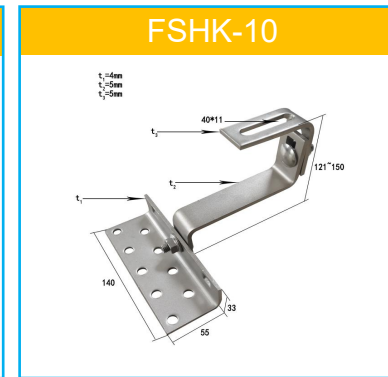
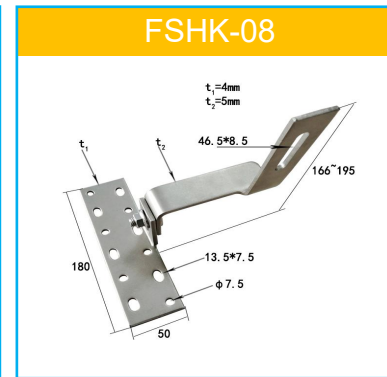
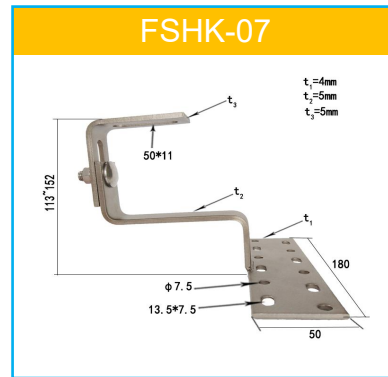
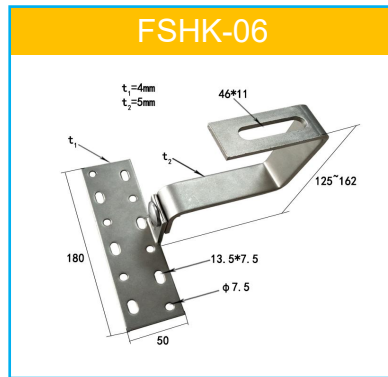
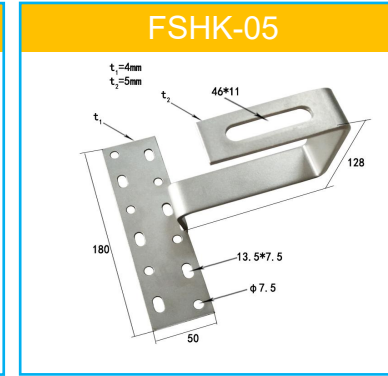
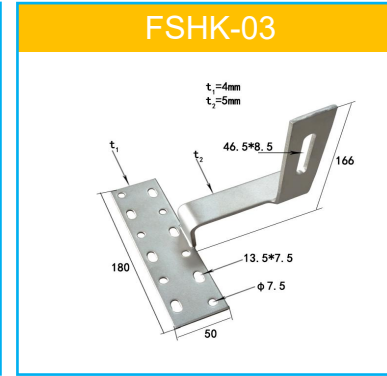
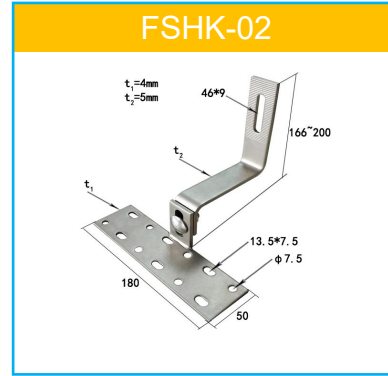
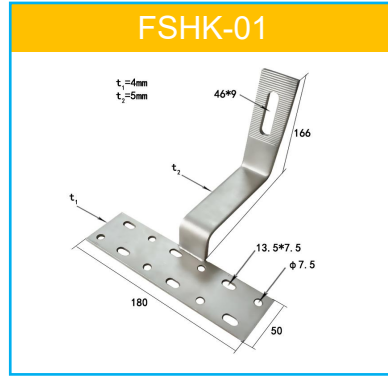
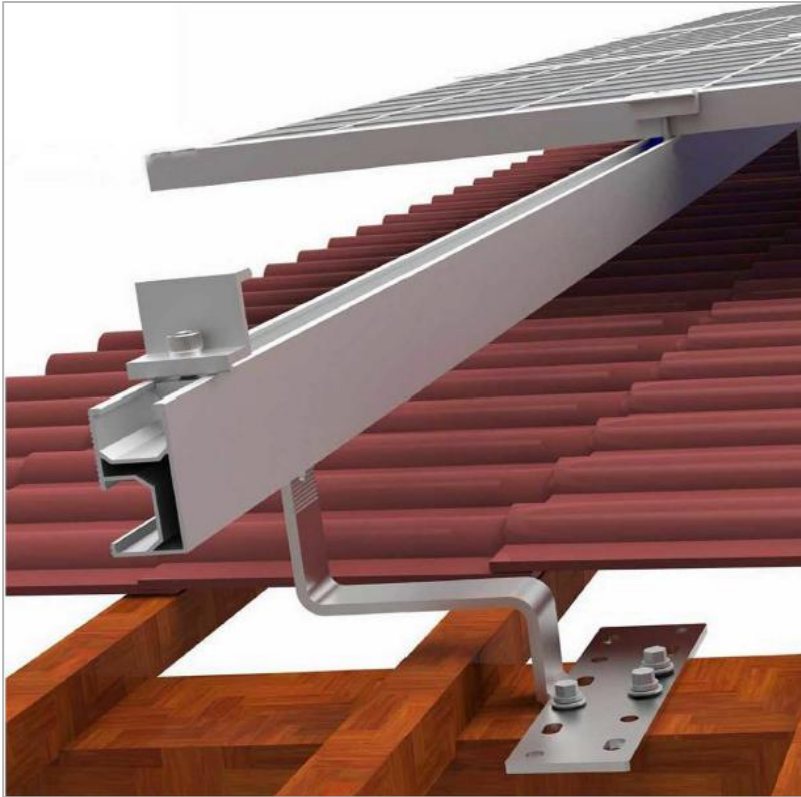


FS-Rail













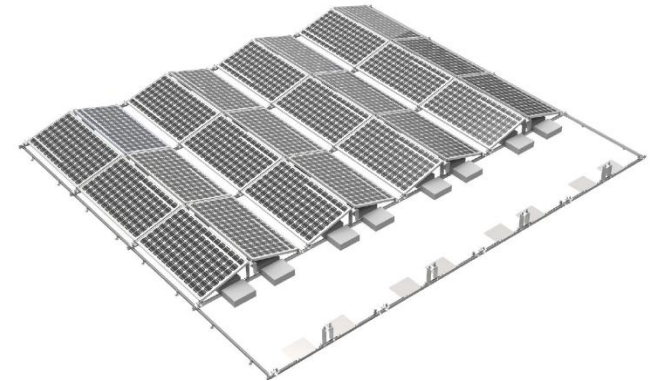
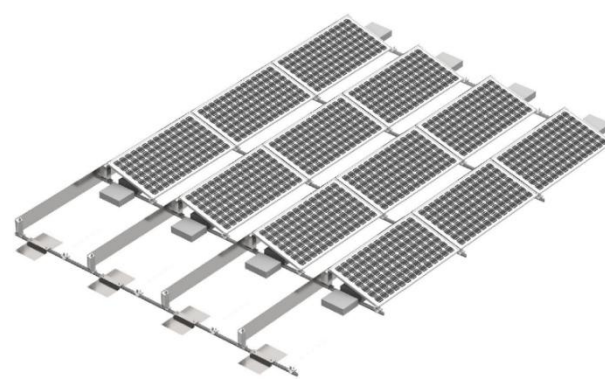
FS-Rail Splice







Specification		 Site	Flat Roof	 Wind Speed	≤60m/s	 Snow Load	≤1.4Kn/m ²
 Angle	0°~45°	 Direction	Vertical, Horizontal	 Body Material	AL6005-T5	 Bolt Material	SUS304
 Standard	JIS C8955:2017 GB5009-2012	 Surface Treatment	Anodized	 Warranty	10 Years Warranty, 25 Years Service Life		



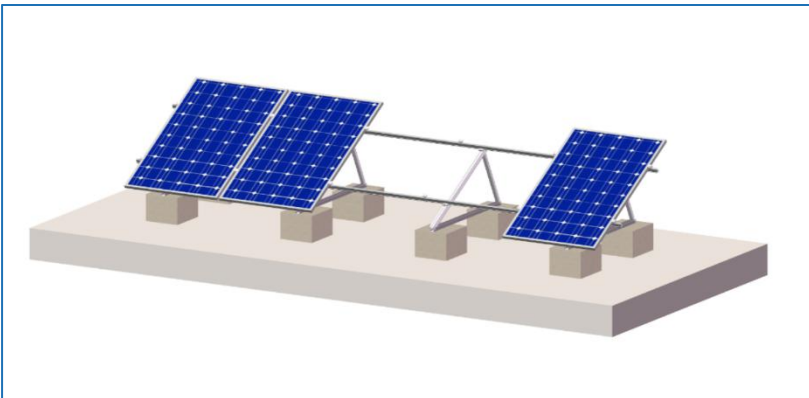
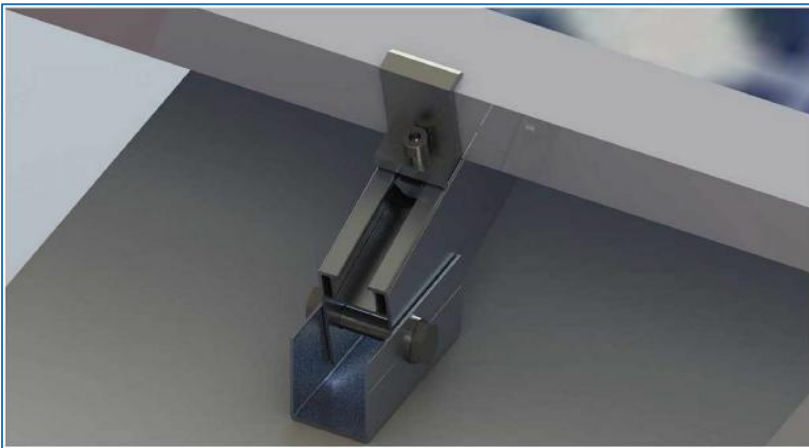
Ballast System

East West System

Solar Tripod Kit

L Shape Triangle Kit





End Clamp Kit



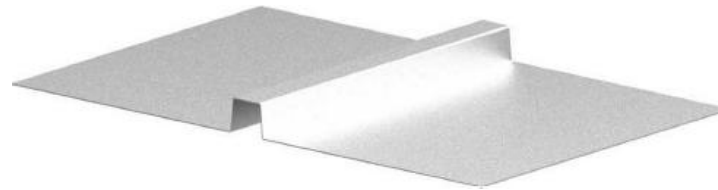
Middle Clamp Kit



Rail Clamp Kit



Ballast Plate



Pre-Assembled Tripod Kit













FS-Rail



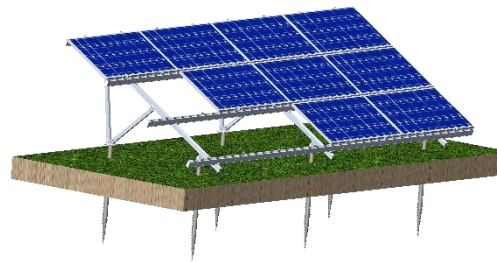
FS-Rail Splice





Specification		 Site	Ground	 Wind Speed	≤42m/s	 Snow Load	≤1.4Kn/m ²
 Angle	0°~45°	 Direction	Vertical, Horizontal	 Body Material	AL6005-T5	 Bolt Material	SUS304
 Standard	JIS C8955:2017 GB5009-2012	 Surface Treatment	Anodized	 Warranty	10 Years Warranty, 25 Years Service Life		

FS-A Type

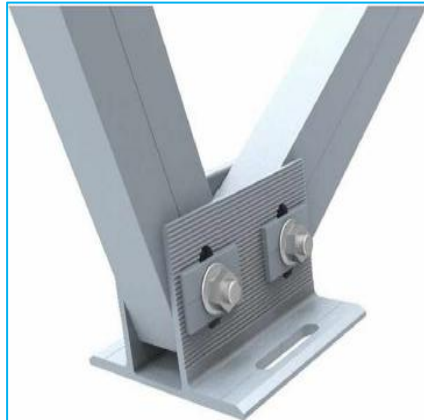
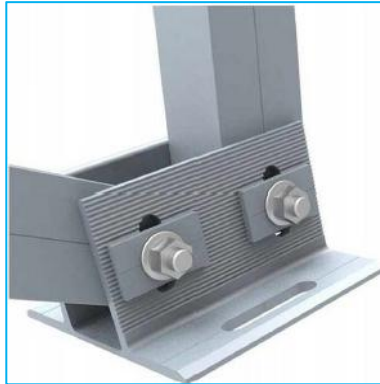


FS-N Type



FS-W Type





End Clamp Kit



Middle Clamp Kit



Base Seat Kit



FS-Rail



FS-Rail Splice



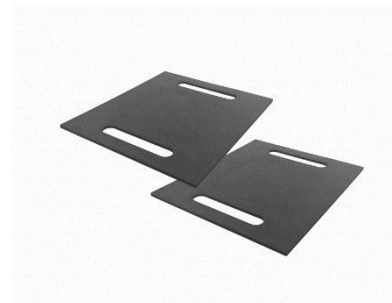
Diagonal Bar



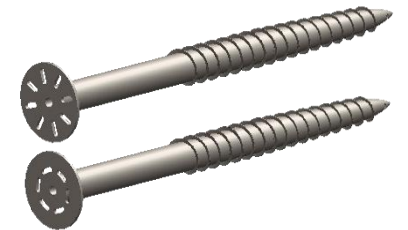
FS-Rail Cap



Base Seat EPDM Pad



Ground Screw





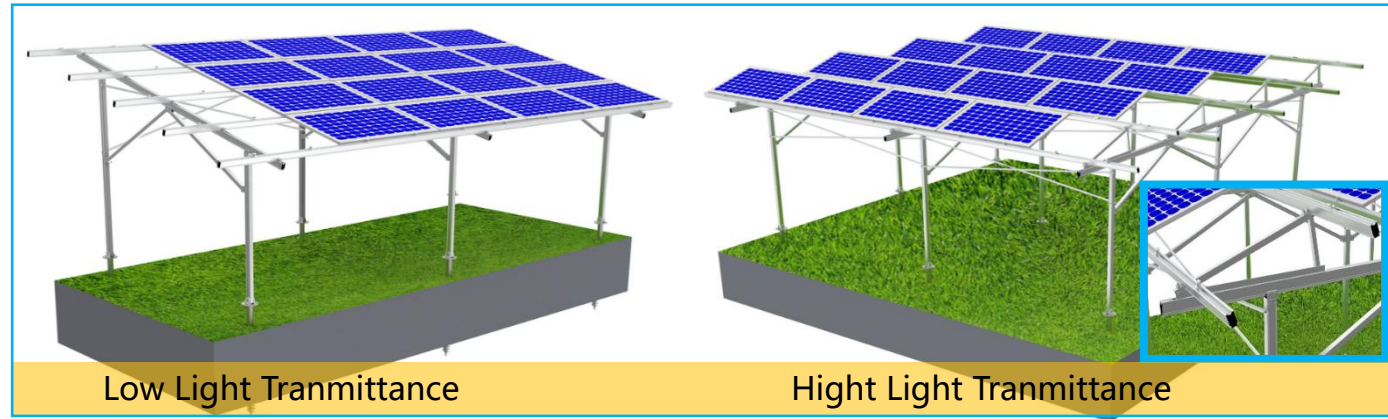
W Type Carport



N Type Carport



Specification		Site	Carport	Wind Speed	≤45m/s	Snow Load	≤1.4Kn/m ²
Angle	0°~10°	Direction	Vertical, Horizontal	Body Material	AL6005-T5	Bolt Material	SUS304
Standard	JIS C8955:2017 GB5009-2012	Surface Treatment	Anodized	Warranty		10 Years Warranty, 25 Years Service Life	



Low Light Transmittance High Light Transmittance

End Clamp Kit	Middle Clamp Kit	Base Seat Kit	AG Pillar
FS-Rail	FS-Rail Splice	Diagonal Bar	Ground Screw

Specification		Site	Farm	Wind Speed	≤60m/s	Snow Load	≤1.4Kn/m ²
Angle	0°~30°	Direction	Vertical, Horizontal	Body Material	AL6005-T5	Bolt Material	SUS304
Standard	JIS C8955:2017 GB5009-2012	Surface Treatment	Anodized	Warranty	10 Years Warranty, 25 Years Service Life		